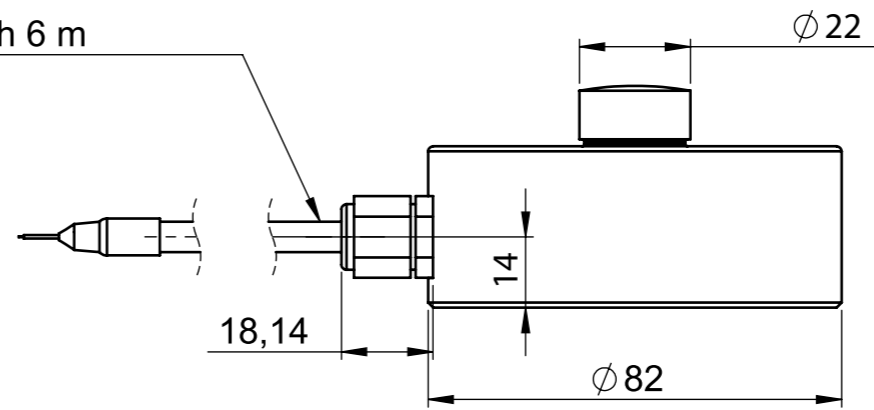
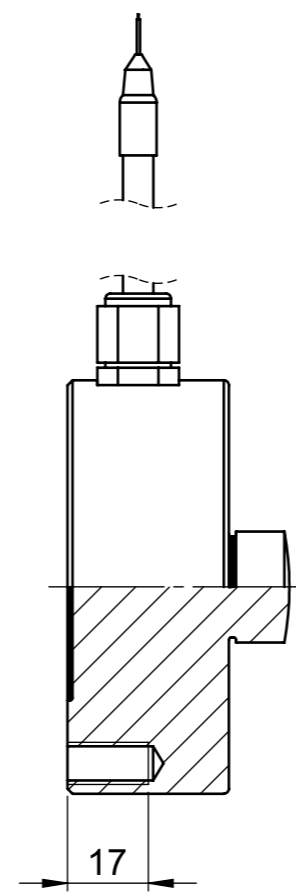
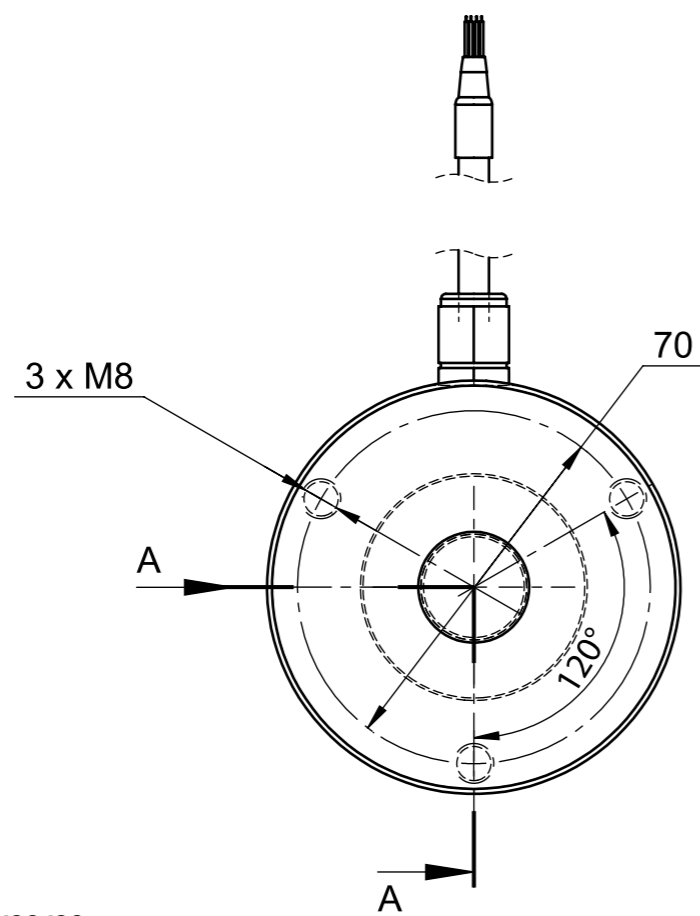


Cable length 6 m

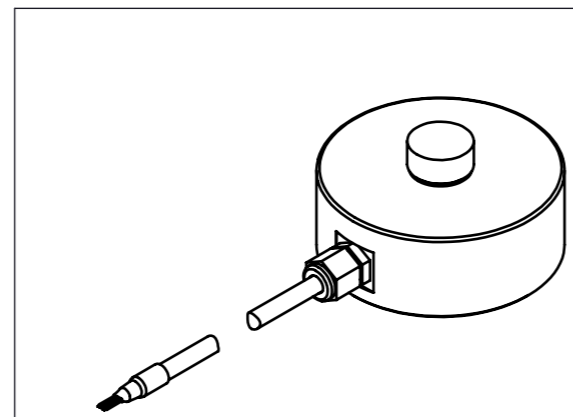


SECTION A-A
SCALE 1:1,5



DIMENSIONS IN mm

CONNECTIONS		
COLOURS	REF.	
RED	EXCITATION	+
GREEN	SIGNAL	+
WHITE	SIGNAL	-
BLACK	EXCITATION	-
SPECIFICATIONS		
Rated load [kg]	1000	
Rated output [mV/V]	2,000	



SEWORKED		DATE	NAME	SIGN	CONDITION	REVISION							
MATERIAL													
WEIGHT (kg)		DRAWING:	25/10/2021	mp	PROV-A	REV-00-A							
THERMAL TREAT.		CHECKED:	25/10/2021	nr									
SURFACE TREAT.		APPROVED:											
NOTE:						Unless otherwise specified dimension are in mm							
						If in doubt , ask please							
A3		SCALE	1:1.5	Lenght and Diam.	0.00 6.00 30.0 120 315 1000 2000	ANGLES	THREAD	Fillets not quoted	R 1		0.4	0.2/100	GENERAL TOLERANCES
		Tolerance	±0.1 ±0.2 ±0.3 ±0.5 ±0.8 ±1.2	±1°	M-6g // F-6H	Chamfer. not quoted.	1x45°	0.25	0.2/100	UNI EN 22768/1-M			
DESCRIPTION												APPROVED FOR	
COMPRESSION load cell												PRODUCTION	
MODEL												COD. / DRAWING	
LC1000d82d22-01												S3000600	
												TAV	
												1/1	